

# Diode pumped 473 nm blue *CrystaLaser*<sup>®</sup>

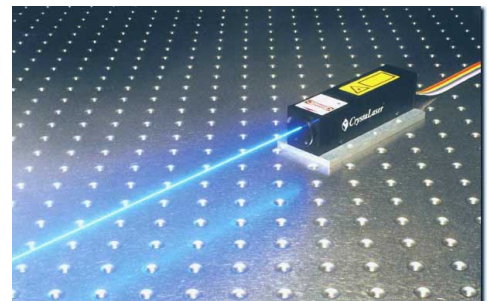
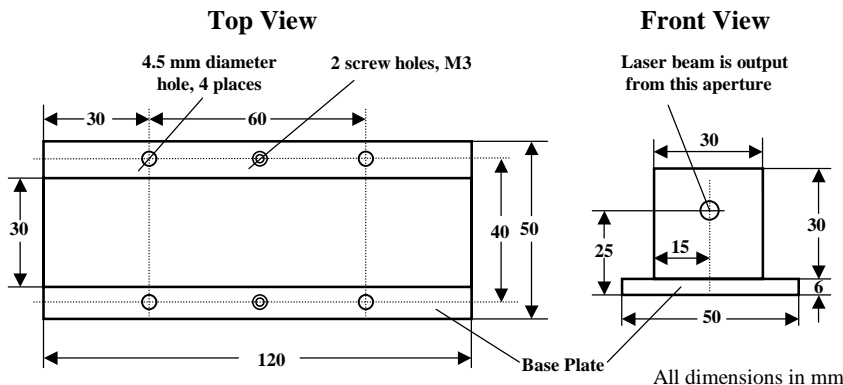
High reliability High stability TEM<sub>00</sub> mode Ultra-compact

## Specifications

Wavelength	473 nm		
Laser version	Single longitudinal mode	Low noise version	TEM <sub>00</sub>
Model No. and output power	BCL-473-010-S 10 mW BCL-473-005-S 5 mW	BCL-473-015-L 15 mW BCL-473-010-L 10 mW BCL-473-005-L 5 mW	BCL-473-150 150 mW BCL-473-100 100 mW BCL-473-075 75 mW BCL-473-050 50 mW BCL-473-025 25 mW BCL-473-010 10 mW BCL-473-005 5 mW
Longitudinal mode	Single	Multiple	Multiple
Output noise (rms, 10Hz - 50MHz)	< 0.5%	< 0.5 %	30% around 300 KHz
Linewidth	< 0.001nm	1 nm	0.1 nm, nominal
Beam diameter (1/e <sup>2</sup> )	1 mm		0.7 mm
Beam divergence	0.65 mrad		1 mrad
Output stability (rms)	1% over 2 hour, Ultra-stable option 0.5%, 24 hours		2% over 2 hours
Transverse mode	TEM <sub>00</sub>		
Beam pointing stability	< 0.02 mrad		
Polarization ratio	Vertical 100:1		
Operation temperature	10°C to 35°C		
Warm-up time	1 minute		
Operation voltage	90-250 VAC or 12 VDC option; Typical power consumption 12 W		
Dimensions and weight of laser head	3x3x12 cm <sup>3</sup> (1.2x1.2x4.7 in <sup>3</sup> ) with a fixed 6 mm thick plate, 0.3kg (0.6 lb)		
Dimensions and weight of power supply	Standard AC: 5x14x15 cm <sup>3</sup> (2x5.5x6 in <sup>3</sup> ), 0.5 kg (1 lb); CL-2005 AC: 5x16x15 cm <sup>3</sup> DC: 8.5x3.5x12.7 cm <sup>3</sup> (3.3x1.4x5 in <sup>3</sup> ), 0.2 kg (0.5 lb) option		

**Applications:** Fluorescence  
 Neuroscience,  
 Confocal Microscopy,  
 Raman Spectroscopy

**Options:** TTL modulation;  
 Analog laser output power control;  
 Fiber delivery system;  
 Upgrade to CL2005 power supply with  
 power adjustable and digital display



**LASER RADIATION**  
 AVOID EXPOSURE TO BEAM  
 CLASS 3B LASER PRODUCT  
 CW MAX. 500 mW @ 473 nm

